



Model: DW2000-MD

Serial #: N/A

Sep. 1, 2022

Product Bulletin # DW-015 Rev 1

## Alert



# DW Lower Brake Guard Doors

## Issue

It has been brought to Canrig's attention that some hinges on the Drawworks lower brake guard doors were installed incorrectly. This may cause the guard door to fall when opened, creating a hazard to the operator.

## Affected Units

Canrig Commander™ Drawworks model DW2000-MD. Included but not limited to the following Nabors rigs:

888	X01	X09	X20	X31
891	X03	X12	X24	X32
893	X06	X16	X25	X34
B14	X08	X17	X30	

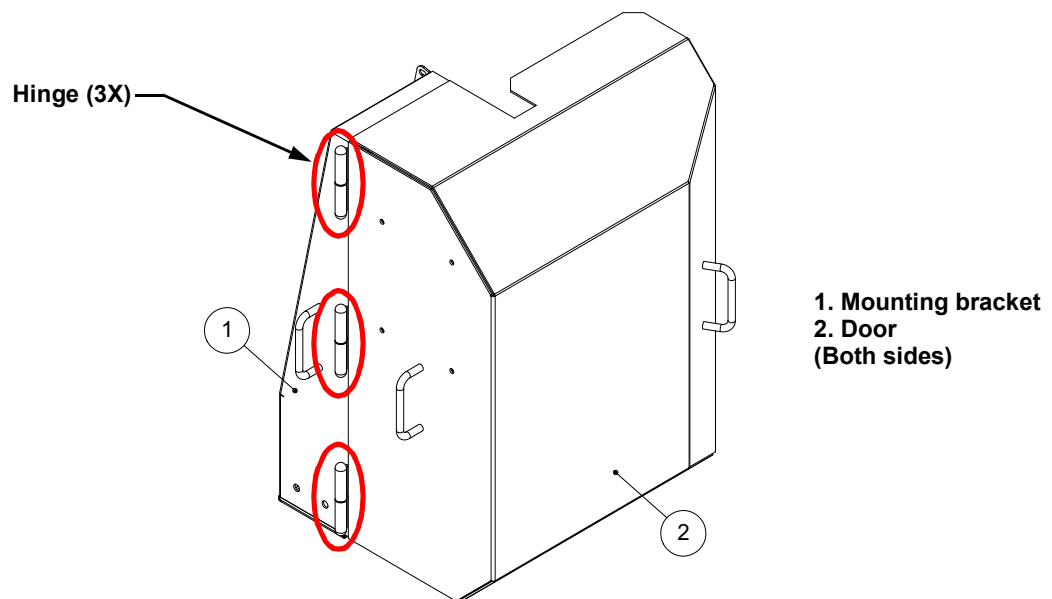


Figure 1: Lower brake guard doors hinges



Model: DW2000-MD	Sep. 1, 2022
Serial #: N/A	
<b>Alert</b>	

## Recommendation

Carefully open the left and right brake guard doors and inspect the three hinges. Verify that the pivot pin on the hinge that is welded to the mounting bracket is facing up (see Figure 2).

**CAUTION**

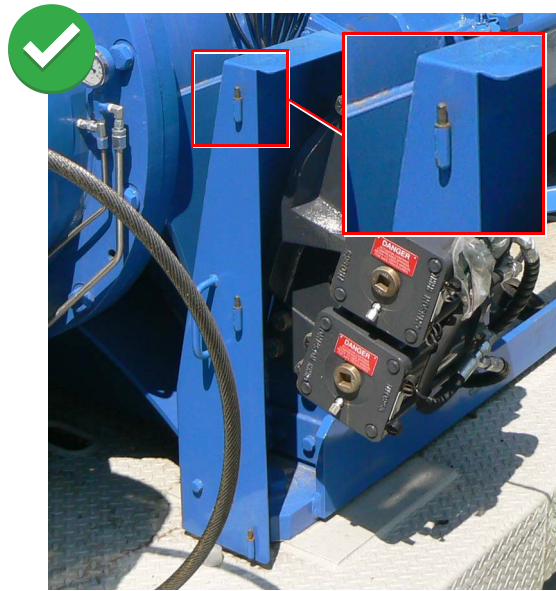
Be careful when opening the brake guard doors. Door weight is approx. 70 lb.

If you find out that the hinges were welded incorrectly,

1. Grind welds on the hinges to remove them from the brake guard doors (left and right).
2. Re-weld correctly per Figure 3 on page 3. Ensure the door (item 2) pivots on hinge when opening/closing.
3. Repaint the affected areas after the above modifications are complete.



**Hinges welded incorrectly**  
(Pin must not be facing up on door)



**Hinges welded correctly**  
(Pin must be facing up on mounting bracket)

Figure 2: Brake guard doors hinges

**Note:** Figure 2 shows left side only. Check left and right sides.



Model: DW2000-MD	Sep. 1, 2022
Serial #: N/A	
<b>Alert</b>	

## Hinge Welding instructions

Refer to drawings DT20681 and DT20571 for hinge welding instructions. This figure is provided for reference only.

**NOTICE** Hinge pin must be facing up on mounting bracket (Figure 2).

If replacement hinges are required, order part number:

- M14637 - HINGE, LIFT OFF, WELD ON, 5 7/8L X 1 DIA.

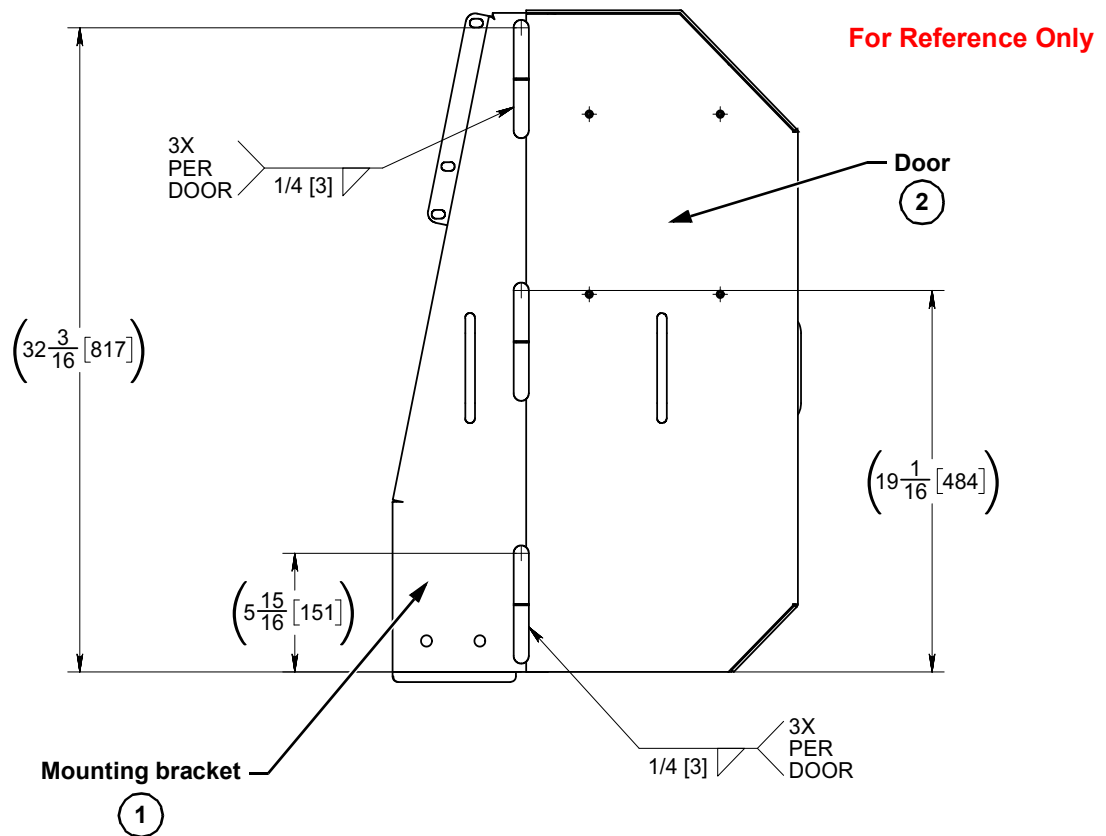


Figure 3: Brake guard door hinge welds

Contact RIGLINE 24/7™ if you need additional information.